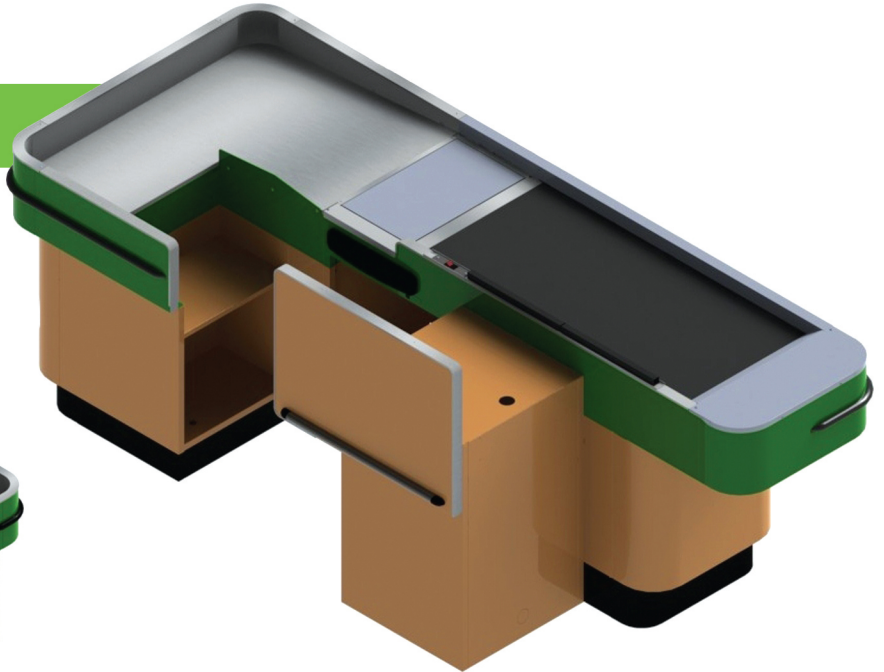
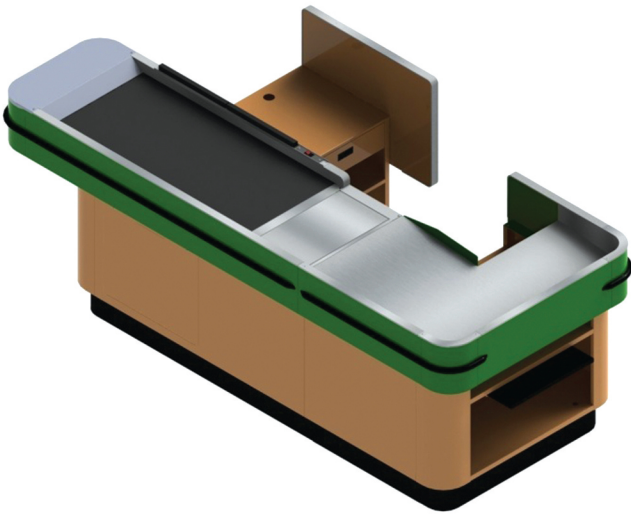


Value Series Belted Scan-and-Pass Checkout



Model VS1001-L



CONVEYOR LENGTH (FT.)	DIMENSION (IN.)			
	A	B	C	D
8'	96.00	132.13	51.00	15.00
7'	84.00	120.13	39.00	15.00
6'	72.00	108.13	27.00	15.00
5'	60.00	96.13	15.00	8.00
4'	48.00	84.13	3.00	3.00

PRODUCT FEATURES

- Scan and pass operation - 36" lg. rear module
- Radius design
- Cashier bag station
- Black plastic bagging shelf
- Standard 21" cashstand with utility drawer and metal security shield
- Optional keyboard and check-writing shelf
- Cashier Lean pad
- Electrical outlets included
- 5 optional conveyor lengths
- 2 optional cashstand widths, 19" & 24.5"
- Durable welded construction
- Other options available

