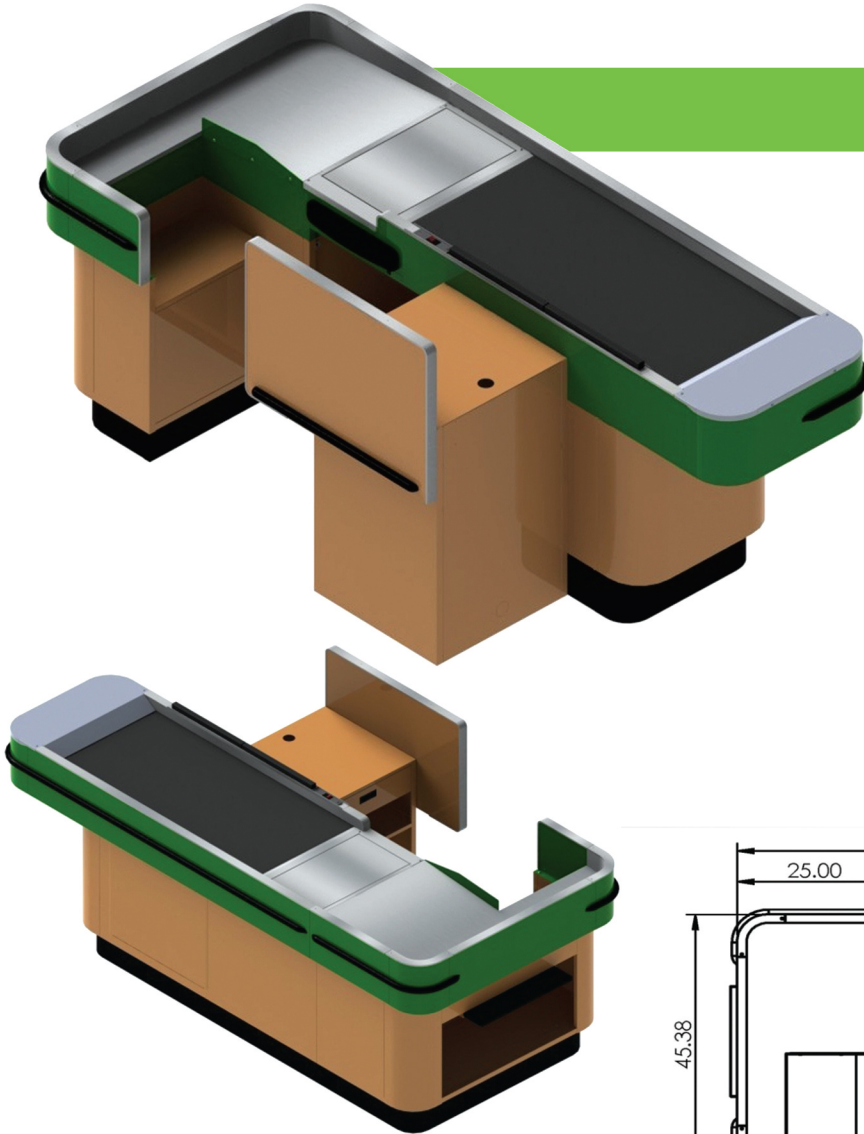


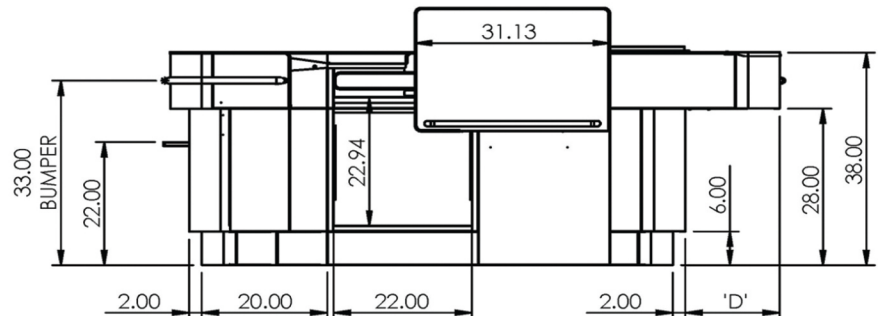
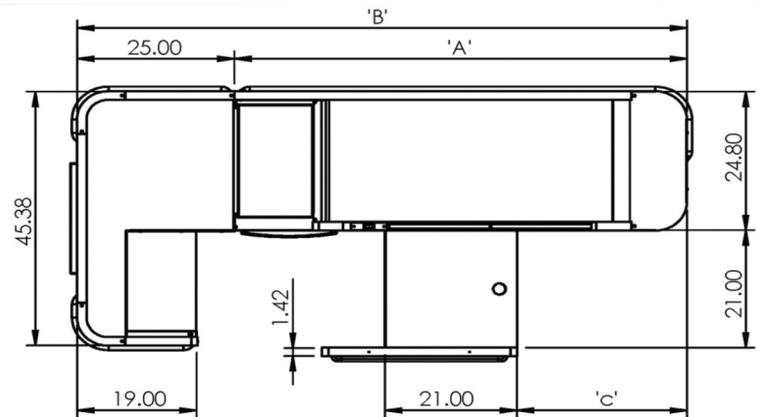


# Value Series Belted Scan-and-Pass Checkout

## Model VS1002-L



CONVEYOR LENGTH (FT.)	DIMENSION (IN.)			
	A	B	C	D
8'	96.00	121.00	51.00	15.00
7'	84.00	109.00	39.00	15.00
6'	72.00	97.00	27.00	15.00
5'	60.00	85.00	15.00	8.00
4'	48.00	73.00	3.00	3.00



### PRODUCT FEATURES

- Scan and pass operation - 25" lg. rear module
- Radius design
- Cashier bag station
- Black plastic bagging shelf
- Standard 21" cashstand with utility drawer and metal security shield
- Optional keyboard and check-writing shelf
- Cashier lean pad
- Electrical outlets included
- 5 optional conveyor lengths
- 2 optional cashstand widths, 19" & 24.5"
- Durable welded construction
- Other options available