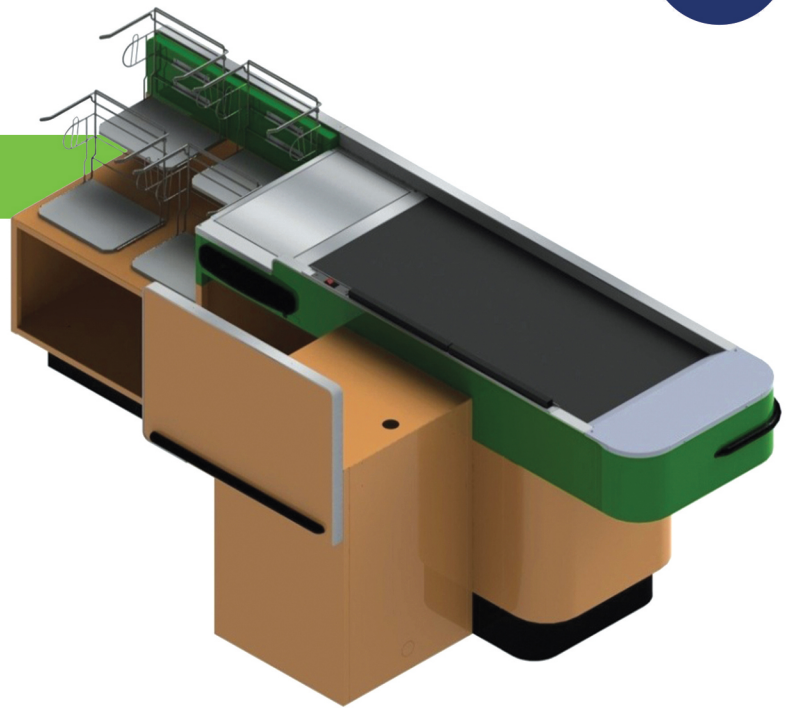
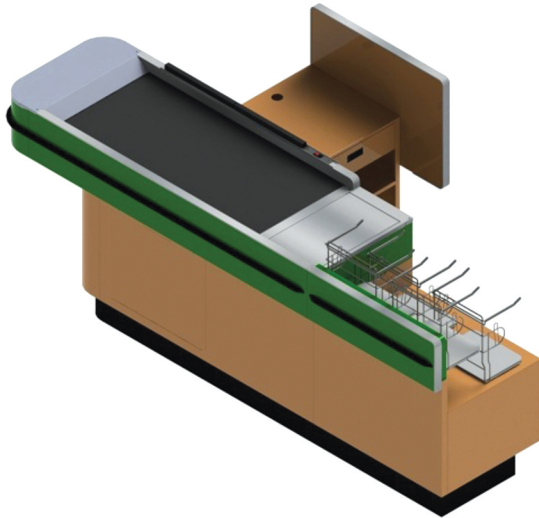




Model VS4001-L



CONVEYOR LENGTH (FT.)	DIMENSION (IN.)			
	A	B	C	D
8'	96.00	126.00	51.00	15.00
7'	84.00	114.00	39.00	15.00
6'	72.00	102.00	27.00	15.00
5'	60.00	90.00	15.00	8.00
4'	48.00	78.00	3.00	

PRODUCT FEATURES

- Scan and pass operation - 30" Lg. rear bagger
- Radius design
- Cashier bag station
- Standard 21" cashstand with utility drawer and metal security shield
- Optional keyboard and check-writing shelf
- Cashier lean pad
- Electrical outlets included
- 5 optional conveyor lengths
- 2 optional cashstand widths, 19" & 24.5"
- Durable welded construction
- Other options available
- Bag racks not included

