



# WM-Ai

FULLY AUTOMATIC WRAPPER  
with INTEGRATED SCALE and LABEL  
PRINTER/APPLICATOR



# WM-Ai

FULLY AUTOMATIC WRAPPER  
with INTEGRATED SCALE and  
LABEL PRINTER/APPLICATOR

WWW.TECNICASYSTEMS.COM



## Increase Capacity, Decrease Downtime

### Streamline Prepackaging Operations with Ishida's WM-Ai

Ishida's versatile, PC-based WM-Ai automatic wrapper delivers space-saving efficiency and high-speed performance—all with the ability to weigh, wrap and label up to 35 packages per minute. Two 5,000-foot rolls of film on one side of the WM-Ai reduces overall floor space and optimizes production flow. The user-friendly, large, color touchscreen makes operation extremely simple, and sanitation guidelines are effortlessly maintained with easy-access to cleaning in, around and under the unit.



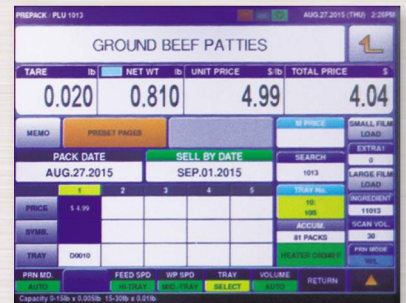
### Automatic Tray Identification and Centering

A CCD camera automatically identifies the tray when placed on the infeed conveyor. Wrapping and labeling parameters as well as tare weight are then set automatically. The centering conveyor corrects off-center tray placement, resulting in a perfectly wrapped package every time.

### Intuitive Operation

The WM-Ai is a flexible wrapping system designed to meet each customer's individual requirements. Toggling between standard operation and optional functions is made simple with the 12.1-inch LCD color touchscreen.

Operational ease is further enhanced with many automated functions designed into the system—from film selection to tray centering to robotic label application and more.



Large, 12.1-inch LCD Color Touchscreen

### Variable Speed Infeed

Difficult and awkwardly positioned product such as stacked or loose items can be challenging with automatic systems. The WM-Ai's three programmable infeed speeds (low, medium and high) prevent toppling and spills, keeping the production process smooth and flowing.

### Precise Label Application

The unique robotic applicator design means that labels can be applied on the tray in any location (top, bottom, left or right) and in either direction (standard or rotated). Additionally, the applicator is designed to provide delicate and reliable labeling using a built-in sensor that detects contact pressure with the tray. Labels are consistently applied accurately and straight on all products without damaging packaging or contents.

**FOR MORE INFORMATION  
CONTACT US:**

Toll Free 800.423.4046

Office 305.477.5617 | Fax 305.591.4255

info@tecnicasystems.com

## Automatic Film Selection and Pre-stretching

Two film sizes, 5,000 feet apiece, are loaded on only one side of the wrapper—reducing space while increasing efficiency. The appropriate film size is automatically selected for wrapping, and the pre-stretch function provides a smooth finish with a tight wrap.

## Space-saving Front Film and Label Loading

Front-loading both label and film rolls reduces additional space requirements on the sides of the wrapper. Simply hang a film corner on the supplied hook when loading and the film will automatically set in the wrapper. Metal covers keep the film warm and clean to ensure the best wrap possible. A sliding chassis accommodates the label roll holder, which easily extends for loading label rolls.



Film Loading Area with Auto Set

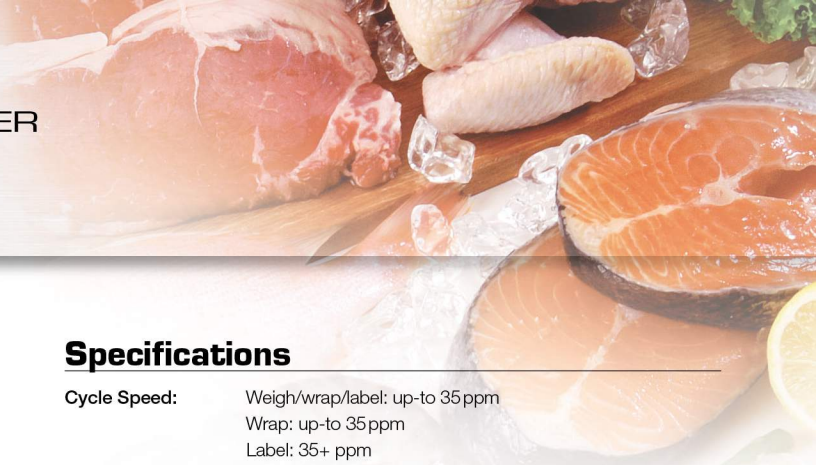
## Sanitary and Easy to Clean

Cleaning is easily accomplished with the detachable and washable infeed platter and lifts. The entire exterior body is crafted from stainless steel, providing superior rust-resistance, stringent cleanliness and outstanding durability. An open interior design and generous underbody clearance allows for fast and easy cleaning.





# FULLY AUTOMATIC WRAPPER with INTEGRATED SCALE and LABEL PRINTER/APPLICATOR

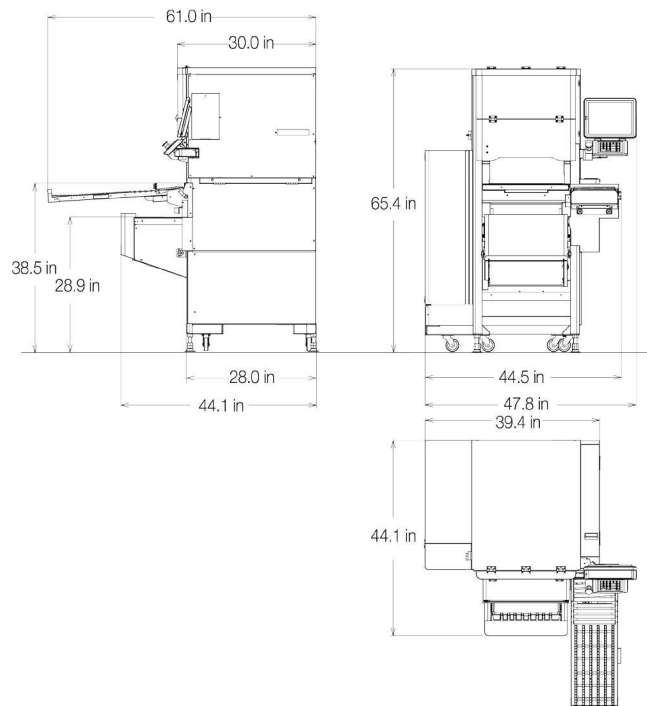


## Standard Features

- Weigh/wrap/label up to 35 packs/minute
- Automatic tray identification and centering
- Variable speed infeed
- Automatic film selection
- Film pre-stretching function
- Front loading film with auto set
- Adjustable touchscreen viewing angle
- Large, 12.1-inch LCD color touchscreen
- 19 tactile keys
- Static and DHCP TCP/IP Ethernet communication
- Dual-range weighing (0 lb-15 lb x 0.005 lb/15 lb-30 lb x 0.01 lb)
- Robotic label application with user selectable positioning
- Stores and prints graphics for custom labeling
- Safe handling instructions, country of origin, nutrition and more
- Large 9-in diameter label roll and 3-in wide thermal head
- 2 GB memory
- Compatible with third-party communication software, including Invatron's PLUM™ Scale Management and ADC's InterScale™



## Dimensions



## Specifications

<b>Cycle Speed:</b>	Weigh/wrap/label: up-to 35ppm Wrap: up-to 35ppm Label: 35+ ppm
<b>Wrapping Capacity:</b>	12 lb (5.4kg)
<b>Weighing Capacity:</b>	15 lb x 0.005 lb / 30 lb x 0.01 lb (dual-range standard)
<b>Wrapping Size:</b>	Width: 3.7-14.9 in (95-380 mm) Depth: 3.1-10.2 in (80-260 mm) Height: 0.4-5.1 in (10-130 mm) Tray Height: 2.7 in max (70 mm)
<b>Display:</b>	12.1 in (307 mm) color touchscreen
<b>Film:</b>	Two rolls, automatic film selection
<b>Power:</b>	200V-240V (1 phase) Standard 20 A circuit
<b>Power Consumption:</b>	Stand-by: 360W In Operation: 1800W (maximum)
<b>Label Size:</b>	Maximum width: 3.1 in (80 mm) Maximum length: 4.1 in (105 mm) Max length for automatic application: 3.4 in (85 mm)
<b>Label Roll:</b>	9.0 in (230mm) maximum O.D. 3.0 in (77 mm) minimum I.D.
<b>Film Size:</b>	Length: 5,000 ft (1,524 m) Width: 9.8 in-21.0 in (250-533 mm) Outside diameter: 7.9 in (200 mm)
<b>Print Items:</b>	Item name, unit price, weight, total price, special message, bar code, ingredients, tare, pack time
<b>Operating Temperature:</b>	41°F to 95°F (5°C to 35°C)
<b>Humidity Range:</b>	20-80%
<b>Classification:</b>	NTEP CC 06-029
<b>Warranty:</b>	One-year limited warranty Based on volume of 2,800 packs per day

## Approvals



## FOR MORE INFORMATION CONTACT US:

Toll Free 800.423.4046 | Office 305.477.5617 | Fax 305.591.4255  
info@tecnicasystems.com | www.tecnicasystems.com

